



Polycarbonate wall panel system





Polycarbonate wall panel system has a lightweight, minimalist, and transparent effect. Diverse colors can create personalized architectural works, making the building harmonious with the surrounding natural landscape.

This is a semi-transparent new material that is easy to shape and can present a frosted glass-like texture.

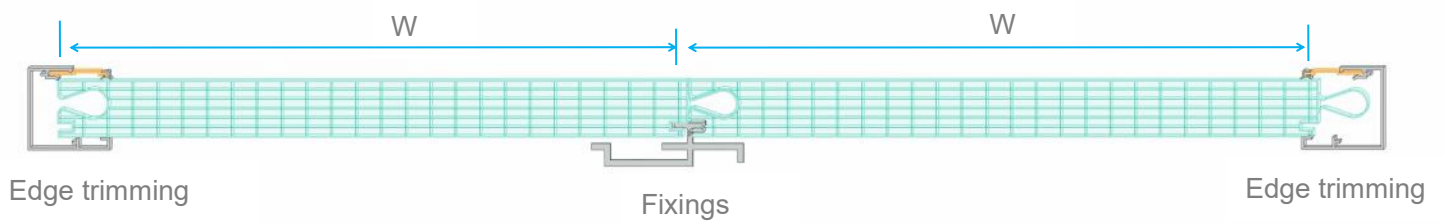
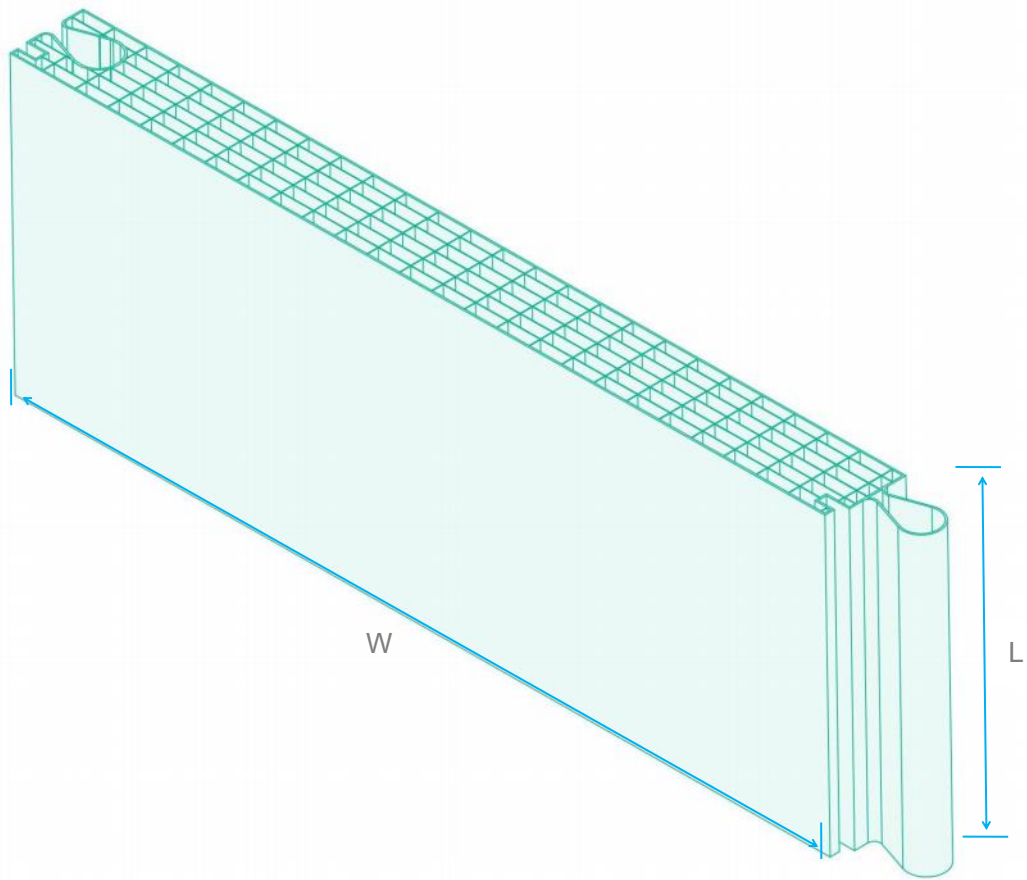
The light diffusion technology makes it appear semi-transparent milky white during the day and emit soft and uniform milky white light at night.

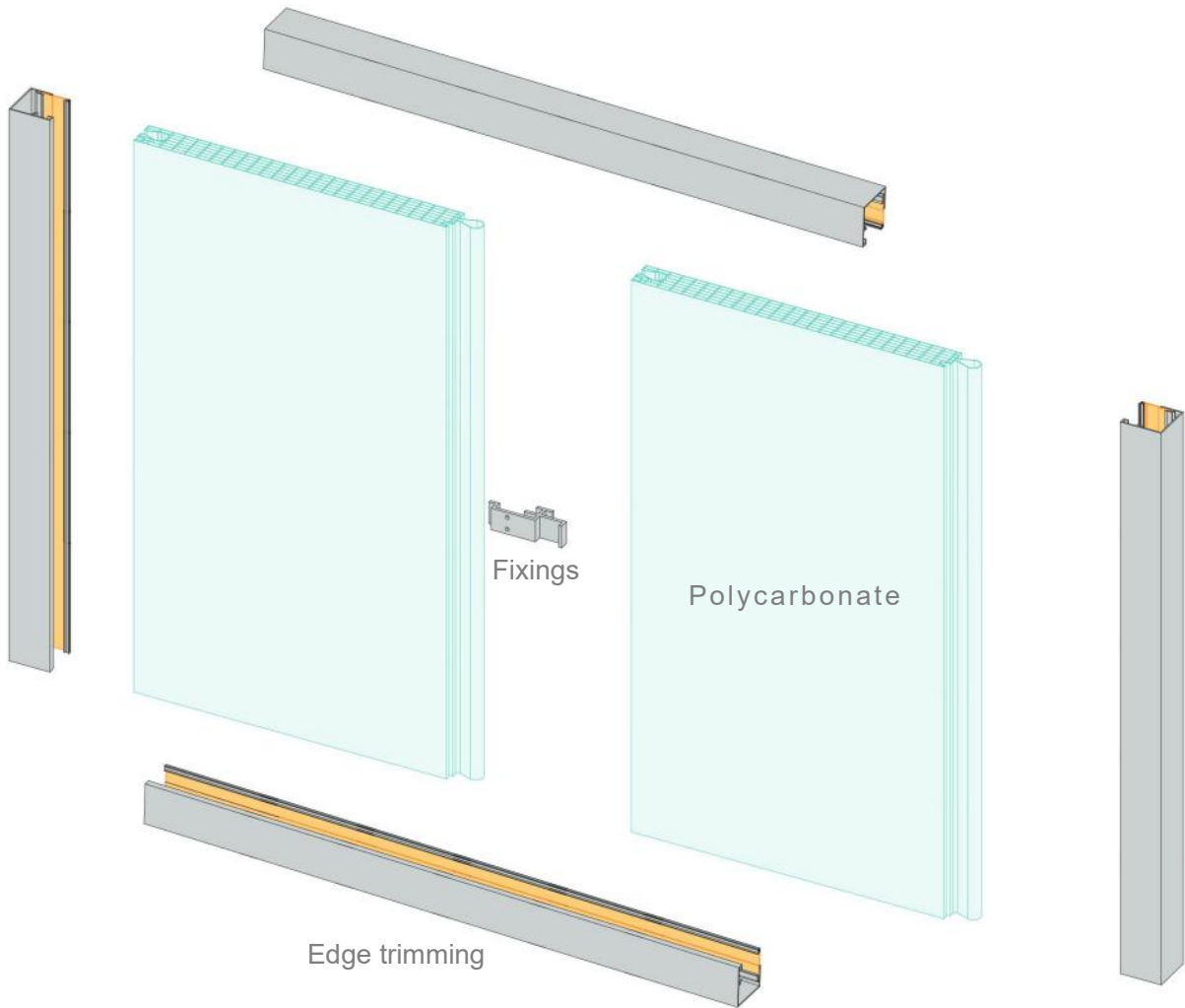
Size:

Thickness: 30mm, 40mm

Width: 0.5 meters

Length: Customized



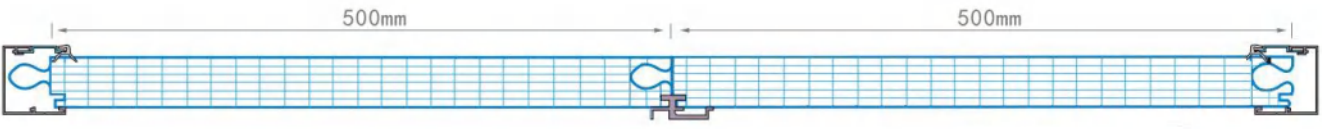


<p>Edge trimming(1-3)</p>	<p>Edge trimming(2-3)</p>	<p>Edge trimming(3-3)</p>	<p>Sketch Map</p>

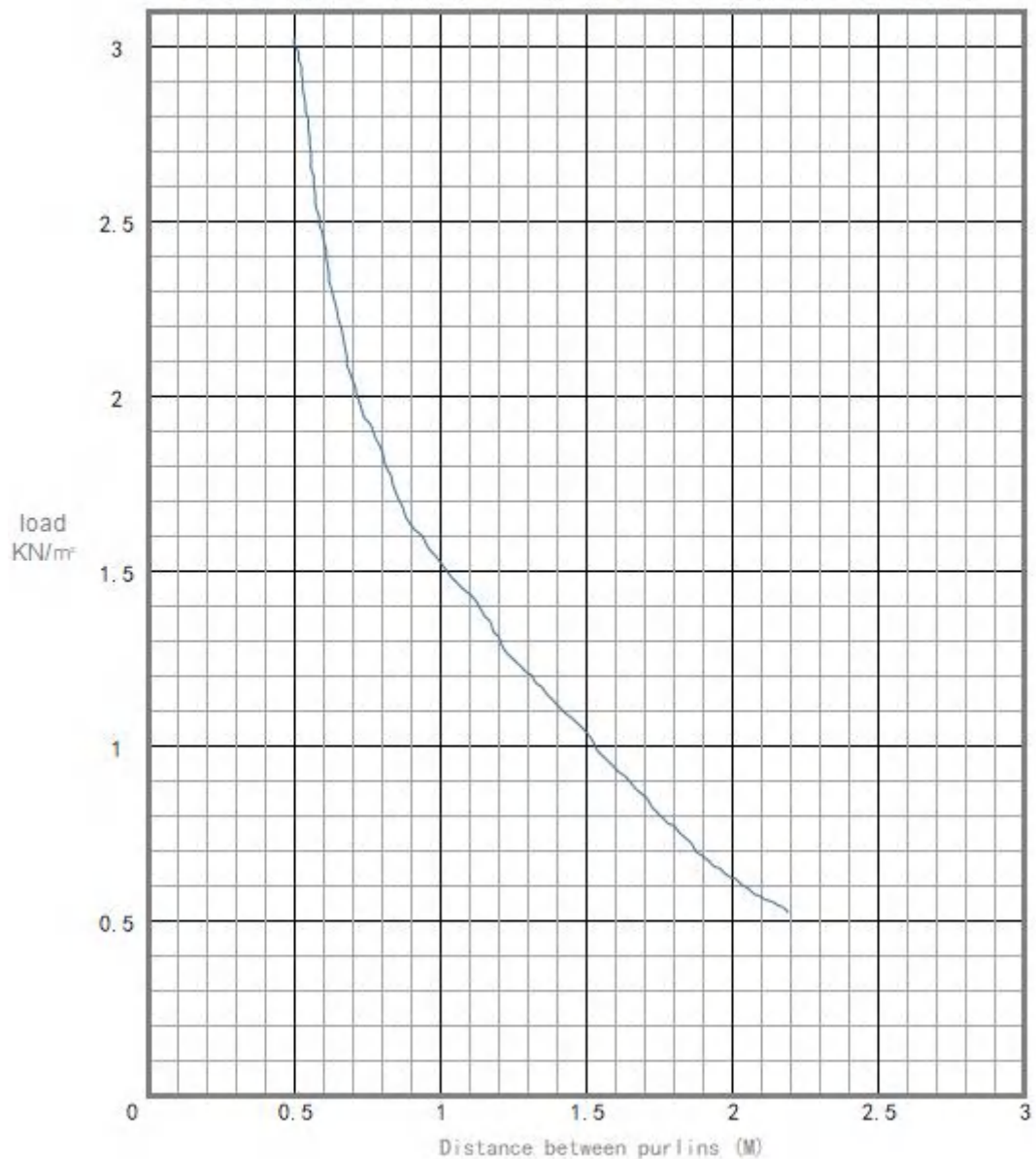
-Installation drawing-

Polycarbonate wall panel system

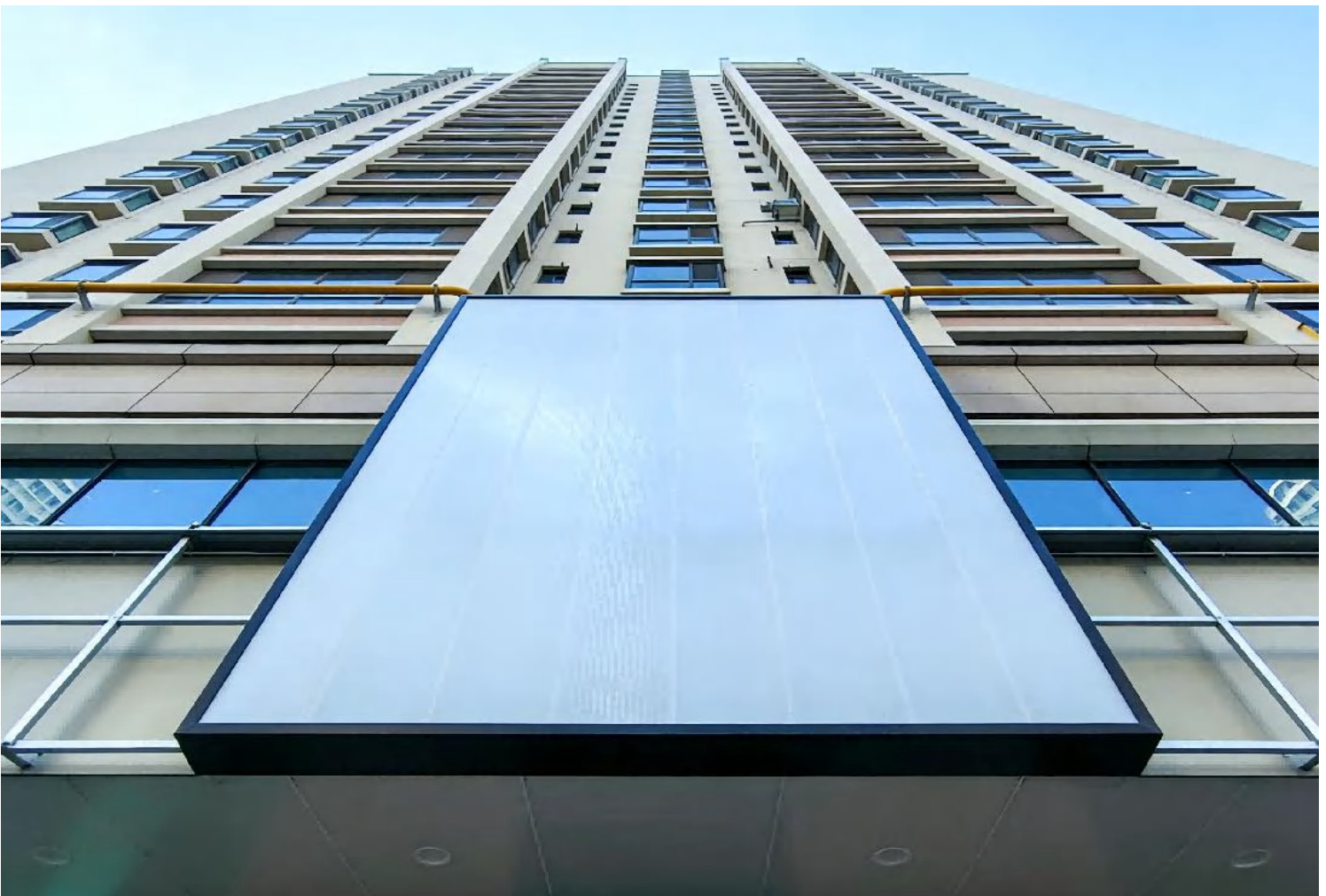
Parameter(Theoretical data is for reference only):

	
Thickness	30mm-40mm
Size	Width: 500mm Length: Customized
Colour	Conventional, frosted, light diffusion, dual color
Transmittance	Transparent board 53% (customizable and adjustable)
Insulation coefficient	1.5 W/m ² · K (40mm thickness - transparent)
Usage temperature	-40 - 120°C
Linear expansion coefficient	7 x 10 ⁻⁵ /°C
Anti hail impact strength	Diameter 20mm V ≥ 21 meters/second

Relationship between purlin spacing and wind pressure load table













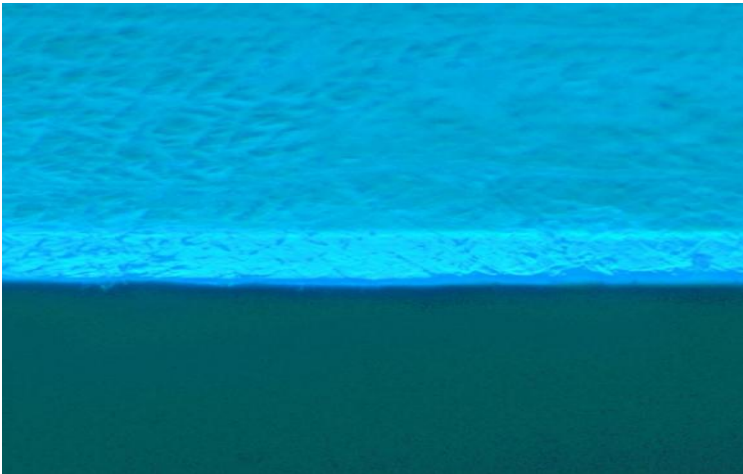




Polycarbonate raw material



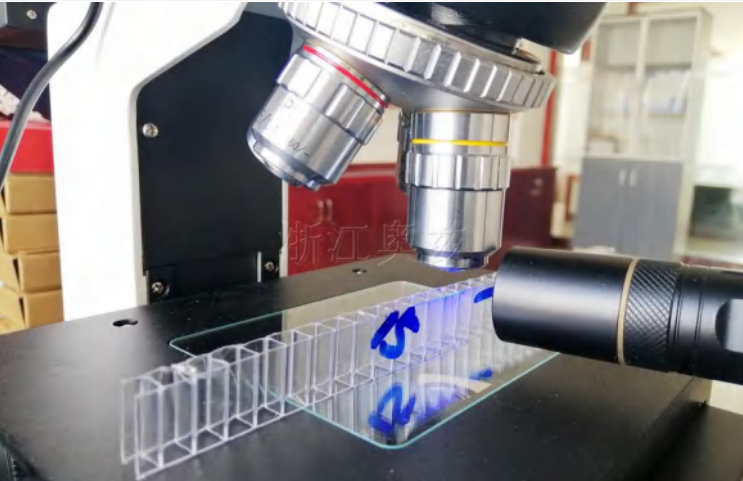
Polycarbonate particles



UV anti-aging coating process



Production facility



Inspection and testing



Transportation mode 1



Transportation mode 2



Factory

Company Qualification

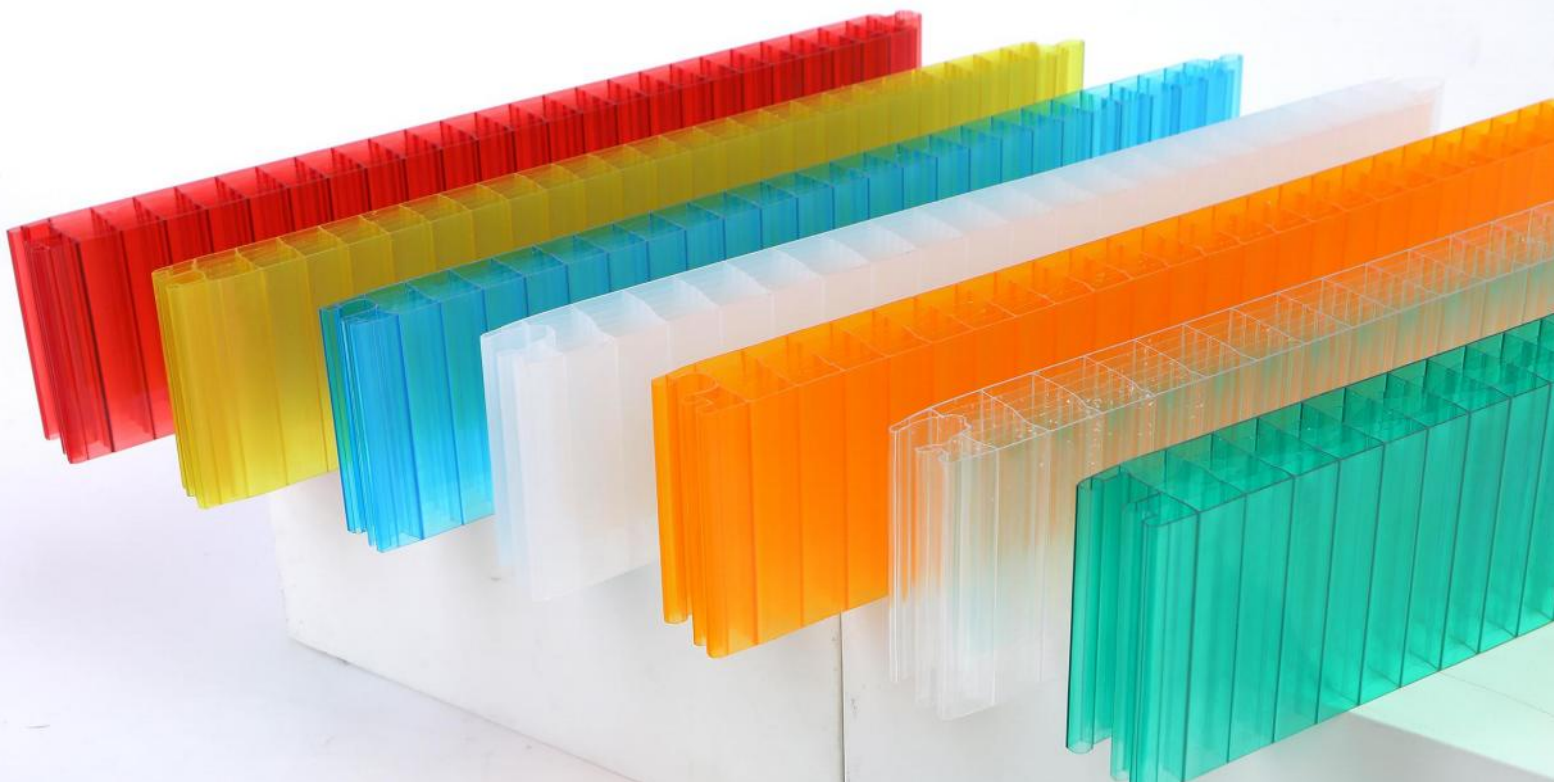


Large scale enterprise in Taizhou Economic Development Zone, director of Import and Export Industry Association, qualification audit of China Inspection and Certification Group, trustworthy enterprise in Zhejiang Province, import and export integrity enterprise ISO9001: 2008, Safety Production Standardization Enterprise, Import and Export Standardization Enterprise, SGS Certification, etc.

Product Patent Certificate



Patent number: ZL 2022 2 1325163.3



E-Mail: polycarbonatesheet@qq.com